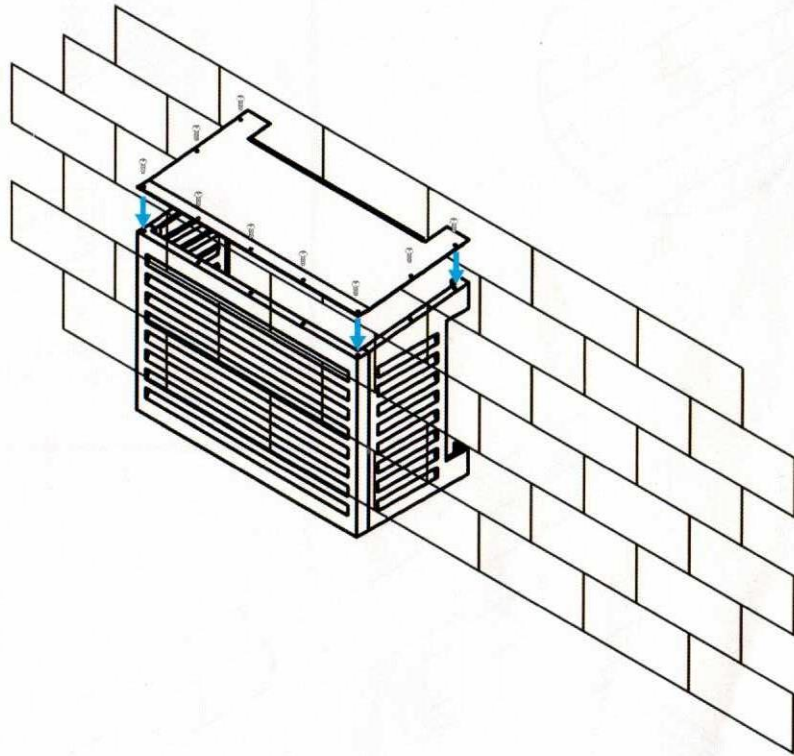
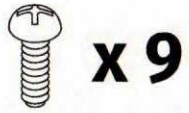
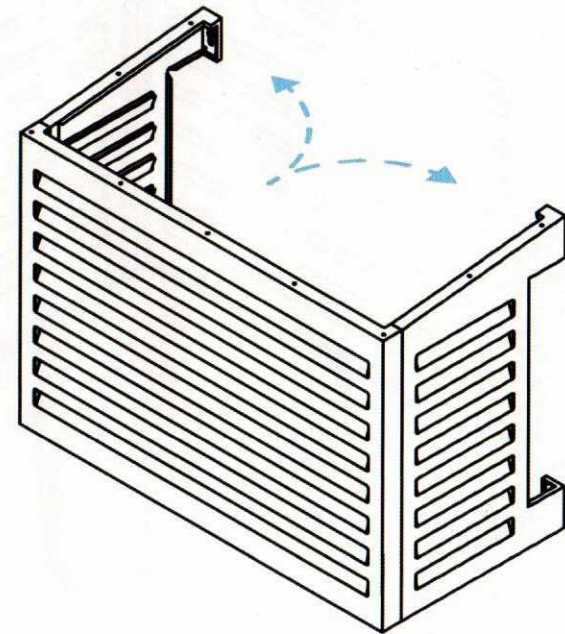


Step 4

(When mounting on wall and placing on ground)



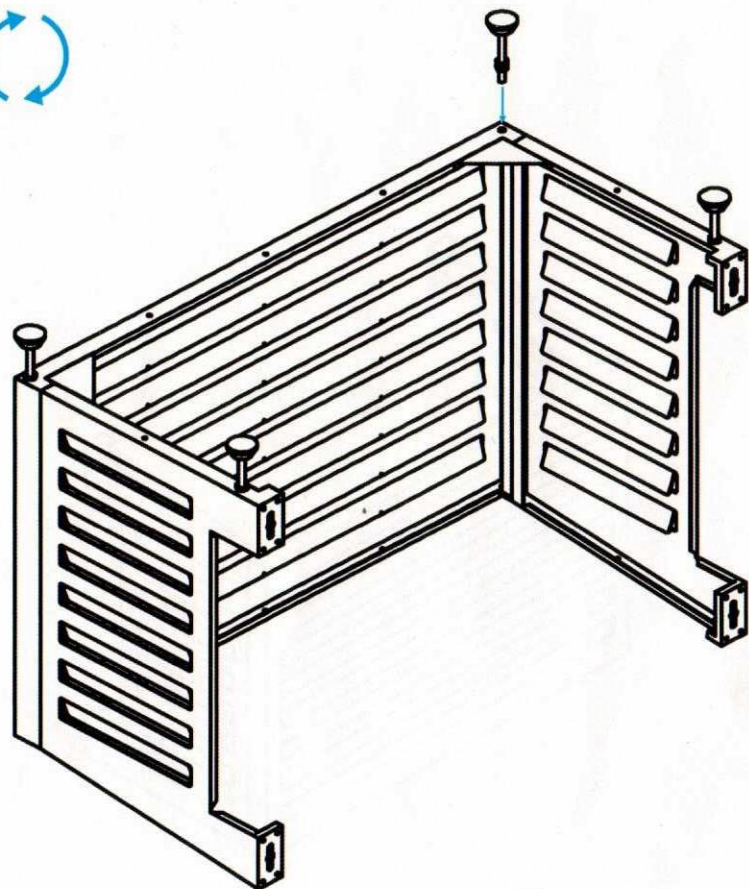
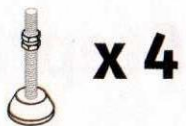
Step 1



When placing on the floor, it is wise, where possible, to also fix it to the wall. This provides extra strength and stability.

Step 2

(When placing on ground)



Step 3

(When mounting on wall)

