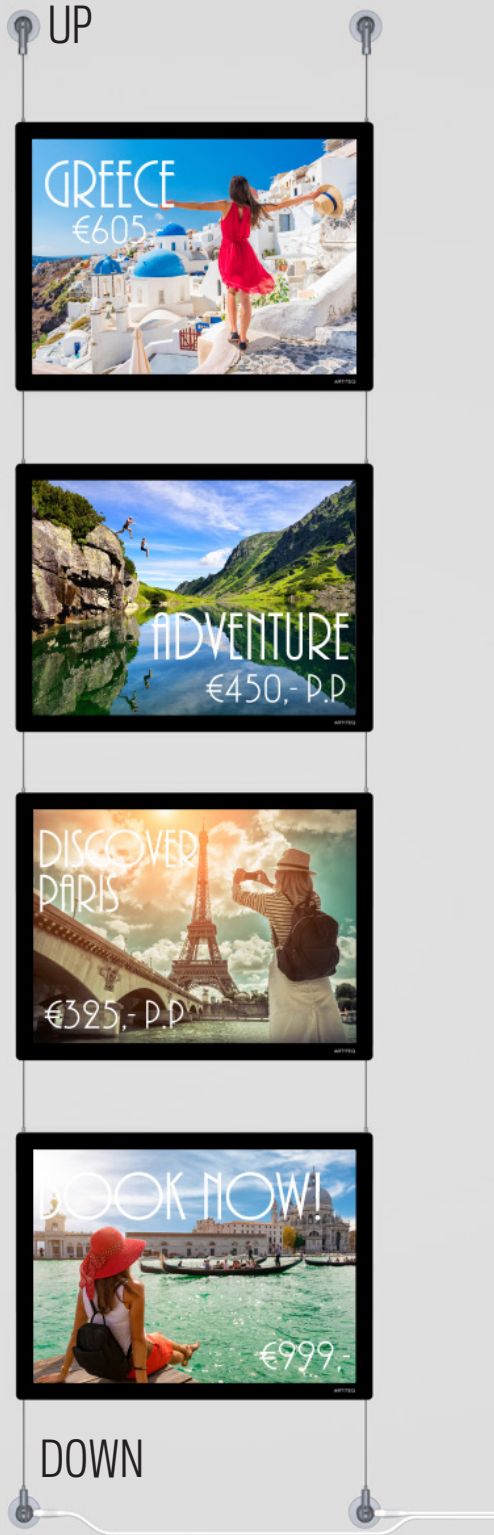
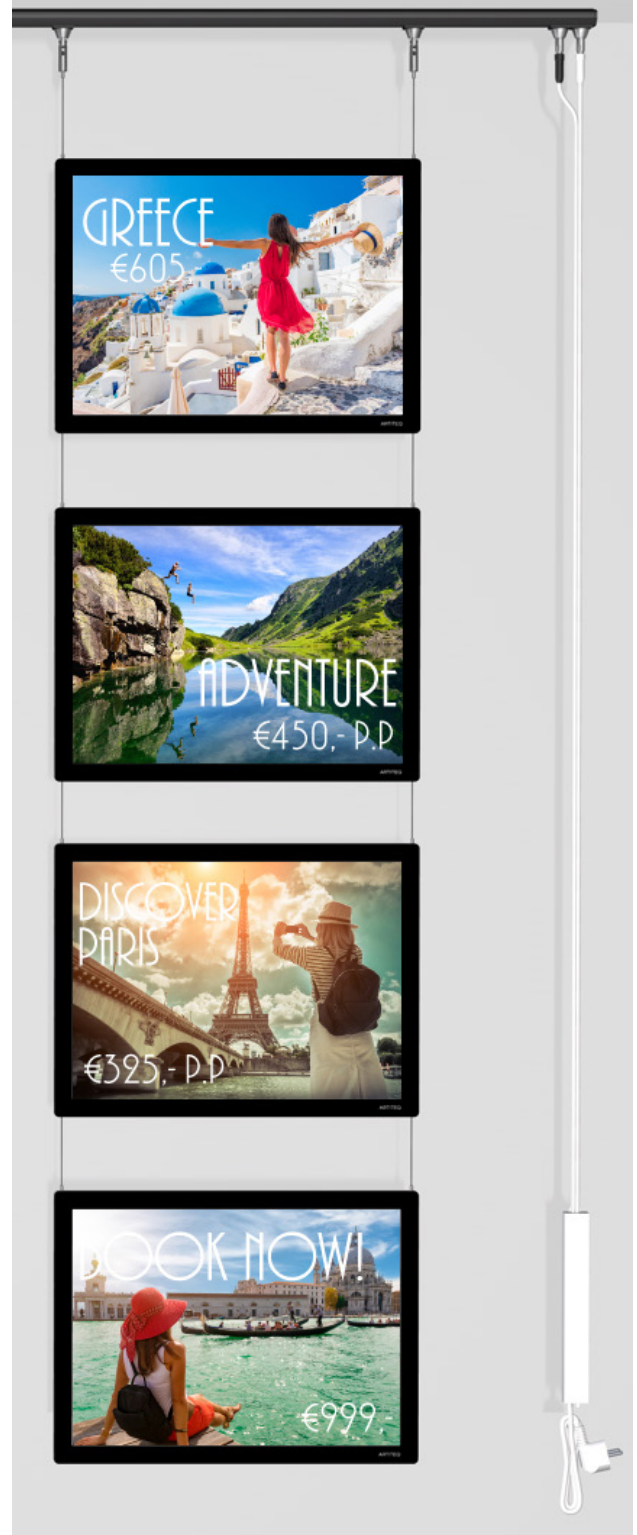


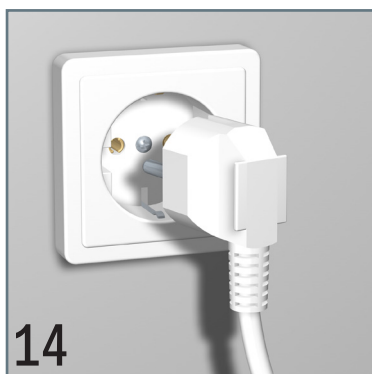
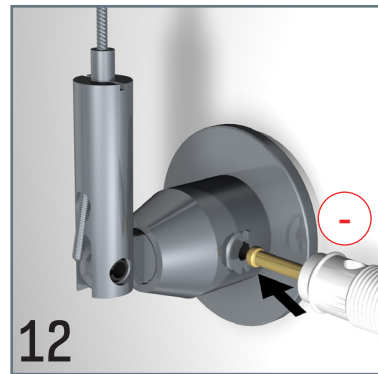
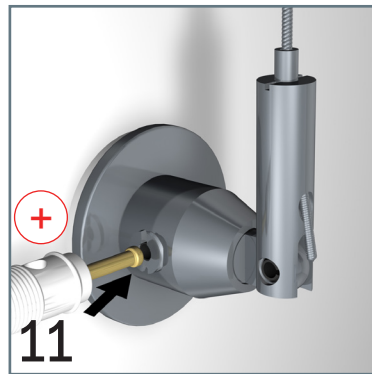
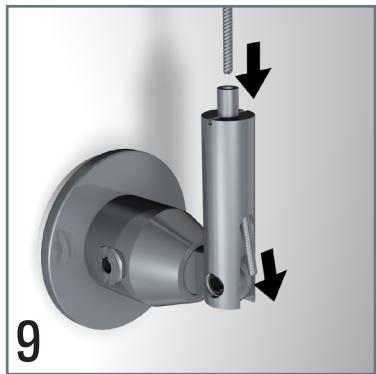
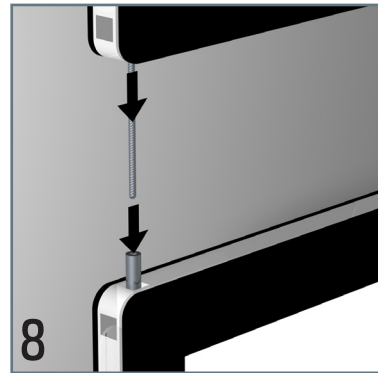
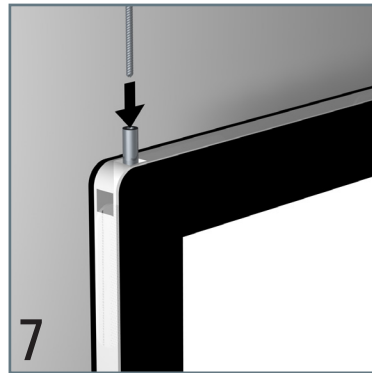
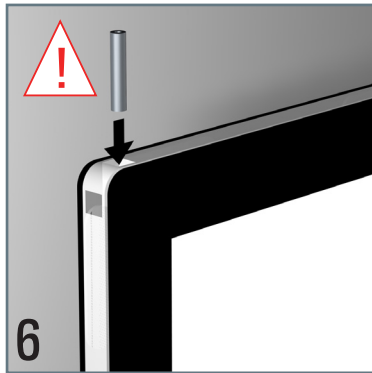
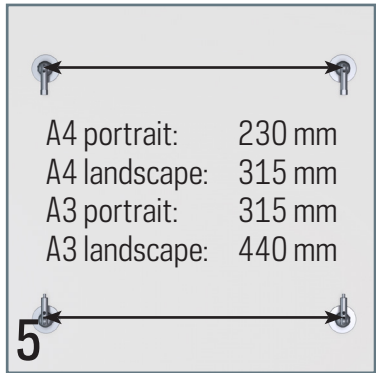
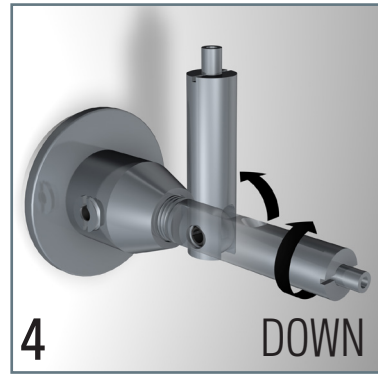
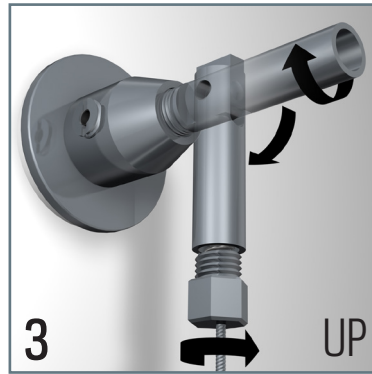
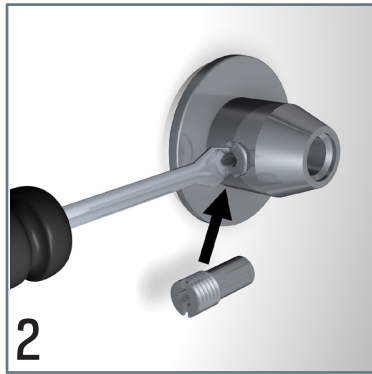
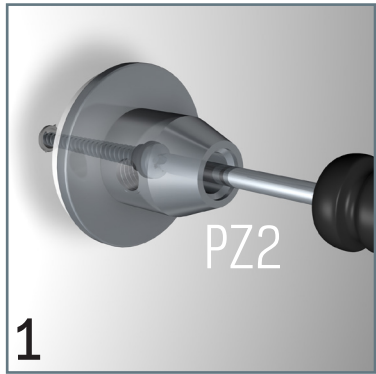
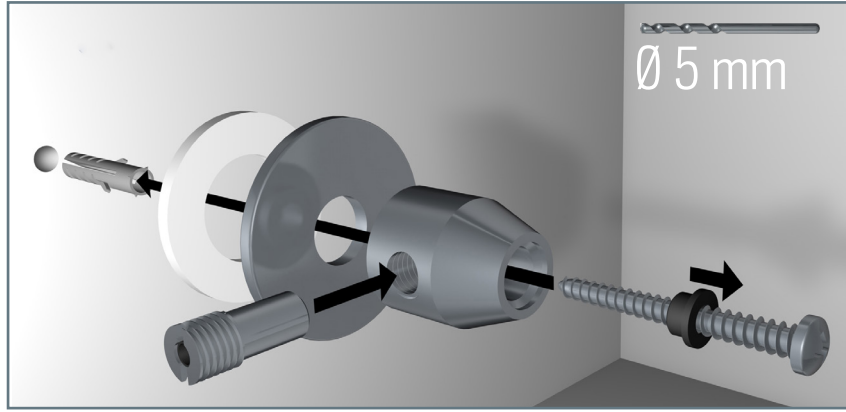
DISPLAY IT LED FIXED



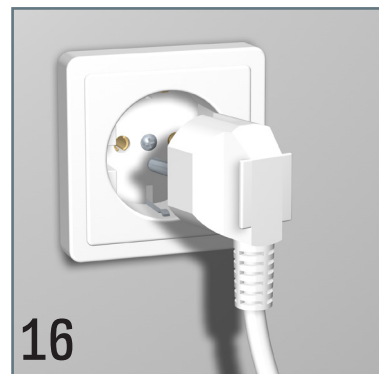
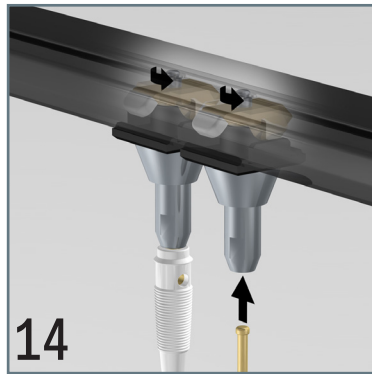
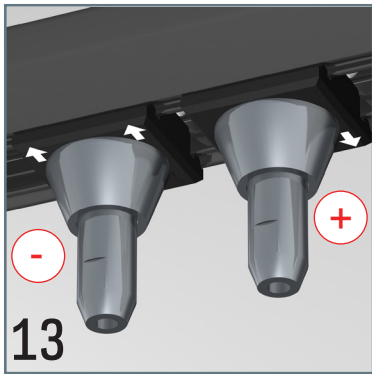
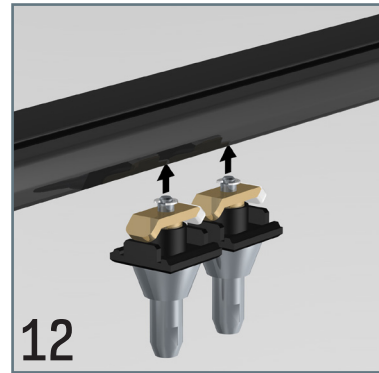
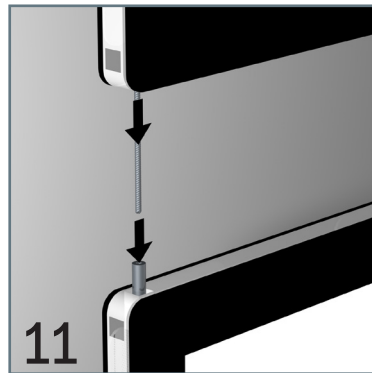
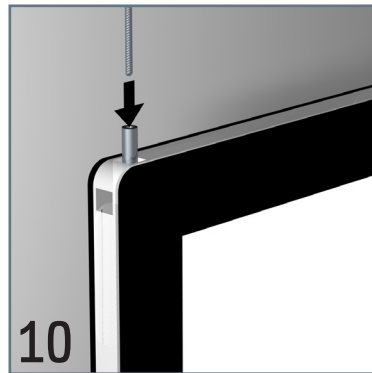
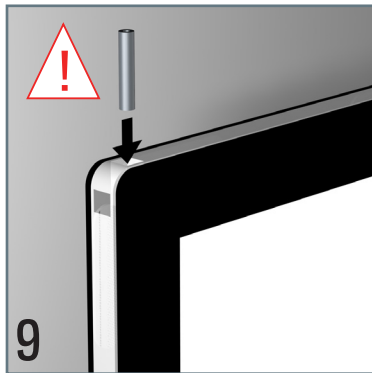
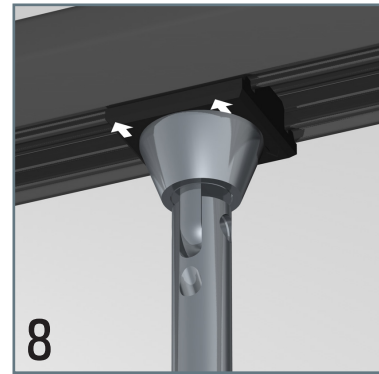
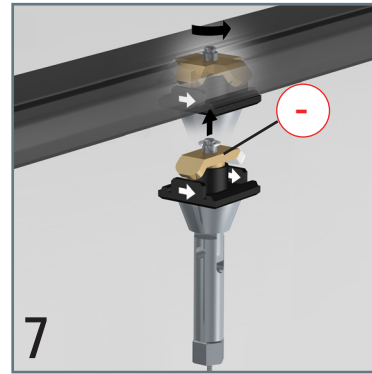
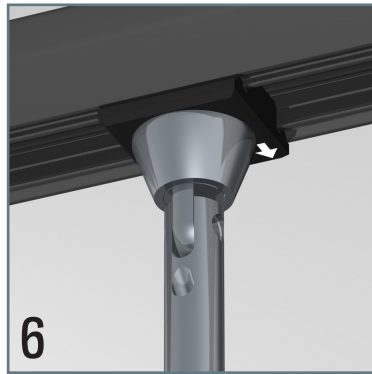
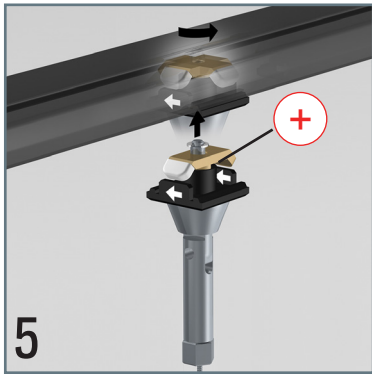
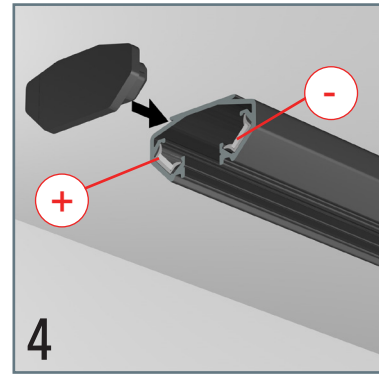
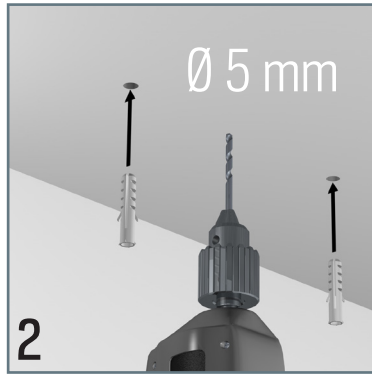
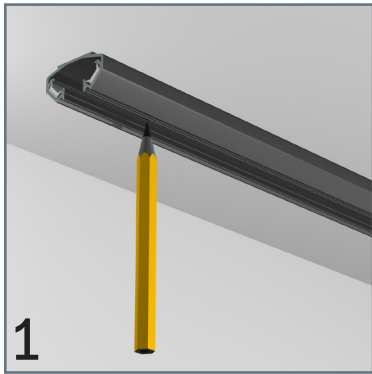
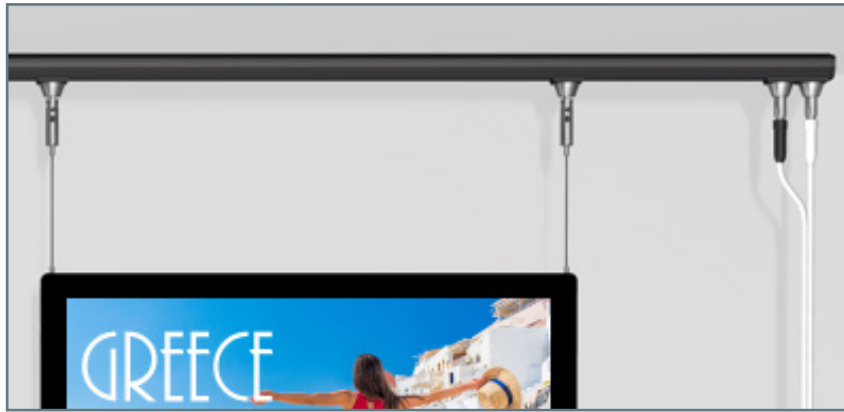
DISPLAY IT LED FLEX



DISPLAY IT LED FIXED



DISPLAY IT LED FLEX



LED PANELS



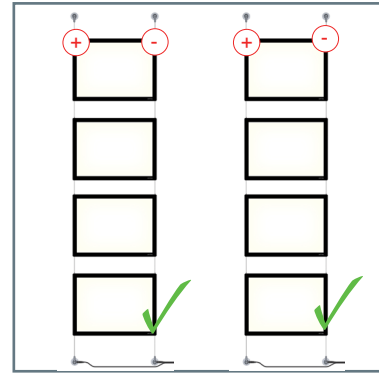
DOUBLE ORIENTATION



DOUBLE SIDES



EASY TO MOVE



ITEM NUMBER	LPN-D-A4 (DOUBLE SIDES, DOUBLE ORIENTATION)	LPN-D-A3 (DOUBLE SIDES, DOUBLE ORIENTATION)
Frame size (mm)	244 * 331 mm	454 * 331 mm
Visual size (mm)	200 * 287 mm	410 * 287 mm
Picture size (mm)	210 * 297 mm	420 * 297 mm
Thickness (mm)	10 mm	10 mm
Voltage (V)	24 V	24 V
Power (Watt)	9 W / pcs	17 W / pcs
Brightness (Lux)	3000 Lux	3000 Lux
Life time (hrs)	50.000 hrs	50.000 hrs
Weight (kgs)	1.20 kg / pcs	2.00 kg / pcs

LED PAPER

SPECIFIC TRANSLUCENT PAPER OR FOIL IS REQUIRED TO BE USED IN THE LED PANELS. USING CONVENTIONAL PAPER IS NOT ADVISED, AS IT IS NOT TRANSLUCENT AND WILL DIMINISH THE BRIGHTNESS AND LOOK OF YOUR CONTENT.



CONVENTIONAL PAPER

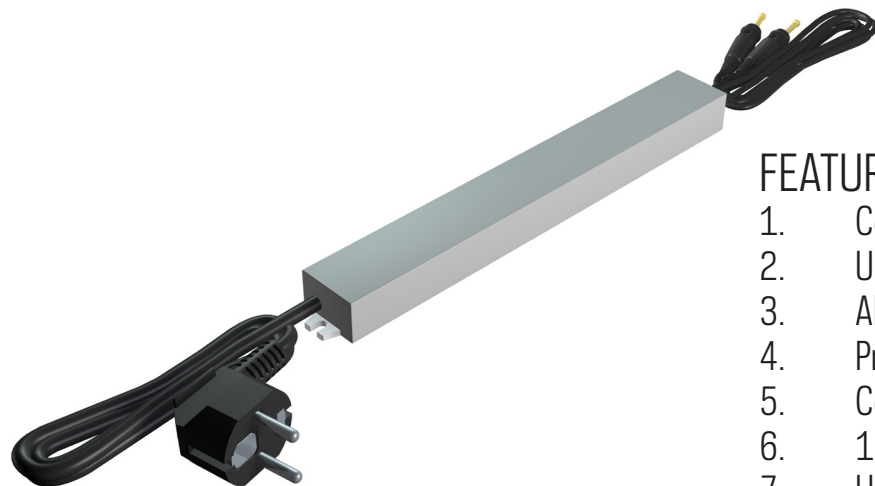


ADVISE: XEROX PREMIUM NEVERTEAR BACKLIT



LED PANEL: EMC TESTED

LED TRAFU



FEATURES:

1. Constant Voltage design
2. Universal AC input
3. Aluminium case, fully encapsulated with IP67 level
4. Protections: Short circuit/Over load/ Over current
5. Cooling by free air convection
6. 100% full load burn-in test
7. High reliability

